

TECHNOLOGY

CREATIVITY

RELIABILITY

MACHINE YOUR WAY TO SUCCESS

P r e c i s i o n   M i l l i n g   M a c h i n e



- 3S
- 3VS
- 3VKH
- 3VKF
- 4VKF
- 5VKF



# Precision M

**Manufactured to exact tolerance:**

**Parallelism:**

**X - axis  
.0008"/20"**

**Y - axis  
.0008"/20"**

**Knee  
.0008"/12"**

**Quill travel:  
.0005"/5"**

**Ram:  
.002"/7"**

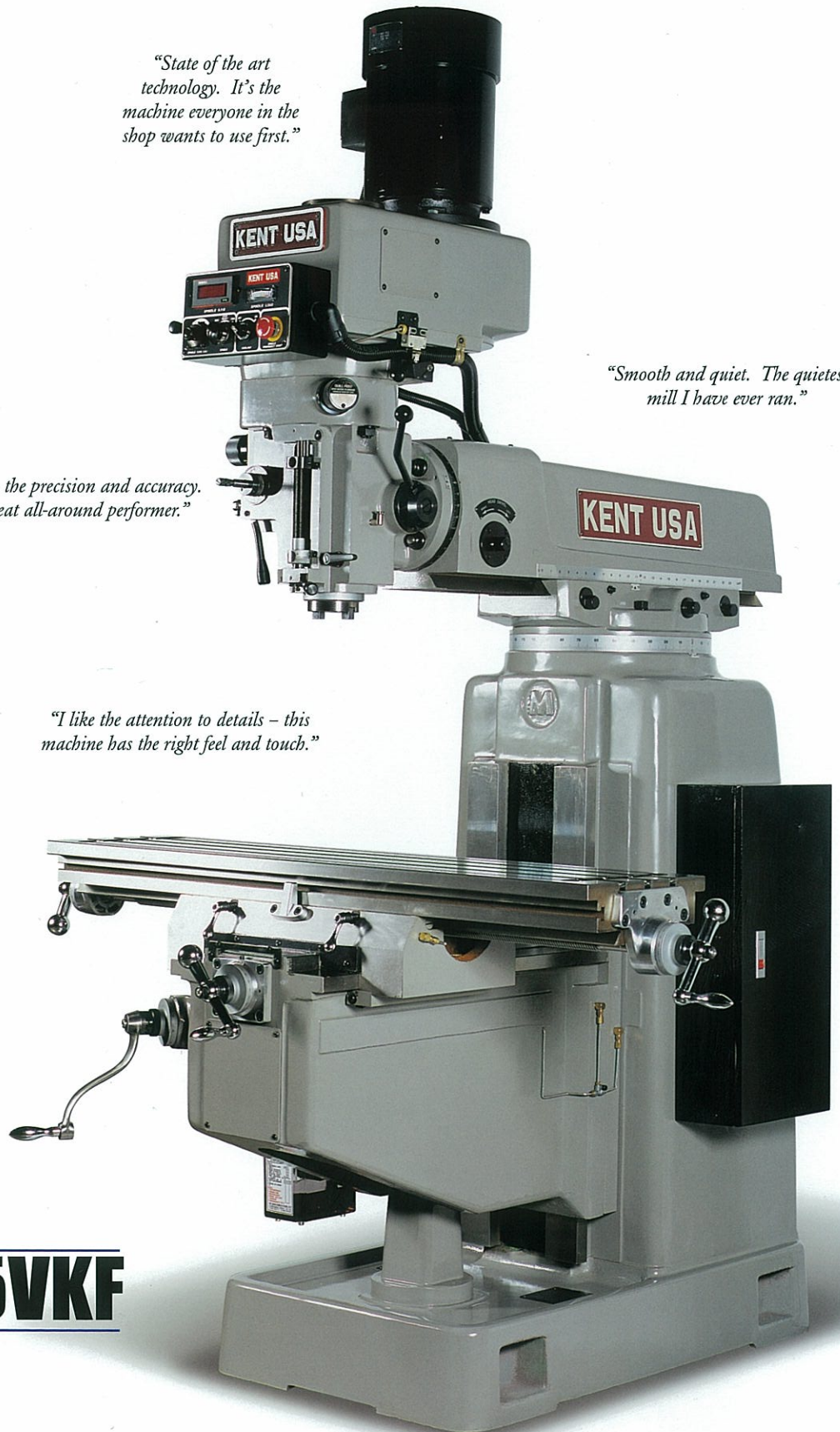
**Spindle bore runout:  
.00015"**

*"State of the art technology. It's the machine everyone in the shop wants to use first."*

*"I love the precision and accuracy. A great all-around performer."*

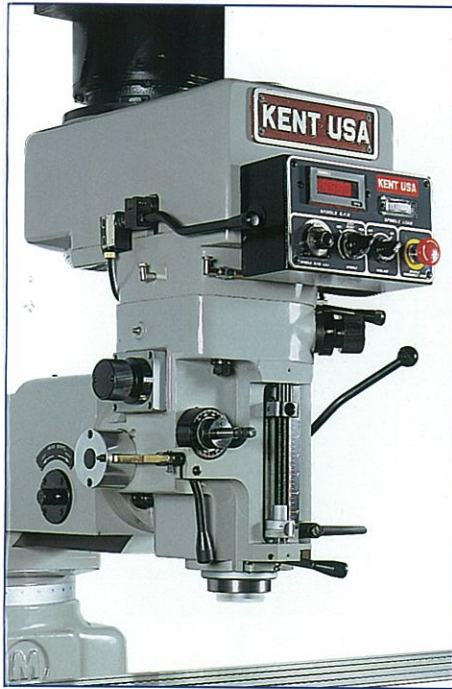
*"I like the attention to details - this machine has the right feel and touch."*

*"Smooth and quiet. The quietest mill I have ever ran."*



**5VKF**

# Milling Machine



## AC FREQUENCY DRIVE BENEFITS

Latest generation of "Flux-Vector" AC-Frequency inverter drive delivers full range of spindle speeds without conventional vari-speed pulley. Less moving parts mean greater reliability and productivity.

Runs on 3-phase or 1-phase power without modification. Use it in the shop or at home. No phase converter required for single phase power.

Extra large digital rpm display makes for easy and accurate spindle speed readings.

Load meter provides real-time monitoring and feedback of machining performance to maximize productivity.

Higher spindle speeds, 60-550-4500 rpm with optional 6000 rpm spindle available for high speed machining or engraving applications.

Special inverter-duty high efficiency spindle motor with independent auxiliary fan provides reliable and efficient cooling airflow thru entire milling head assembly.

Industry leading performance with fastest 0-4500 rpm spindle, clocked at under 3 seconds. Near instantaneous spindle reversals at normal spindle speeds allow for dependable tapping without additional attachments.

## OUTSTANDING FEATURES INCLUDE:

- Precision class-7 spindle bearings.
- Quick-set quill stop speeds set up times.
- Precision ground leadscrews with backlash compensating double-nut design for superior accuracy.
- Table surface and all slideways Hardened and Ground, a feature pioneered and proven by Kent mills, now widely imitated by our competitors.
- Meehanite® casting with internal rib-matrix for extra rigidity and long lasting durability.
- Metered check valves insure proper distribution to all lubrication points.
- Internal coolant reservoir with dish-in base.

Also available in other models...

**3S**



**3VS**



**3VKH**



**3VKF**



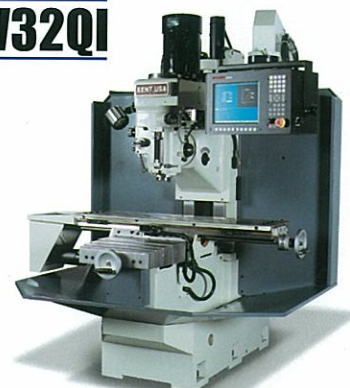
**4VKF**



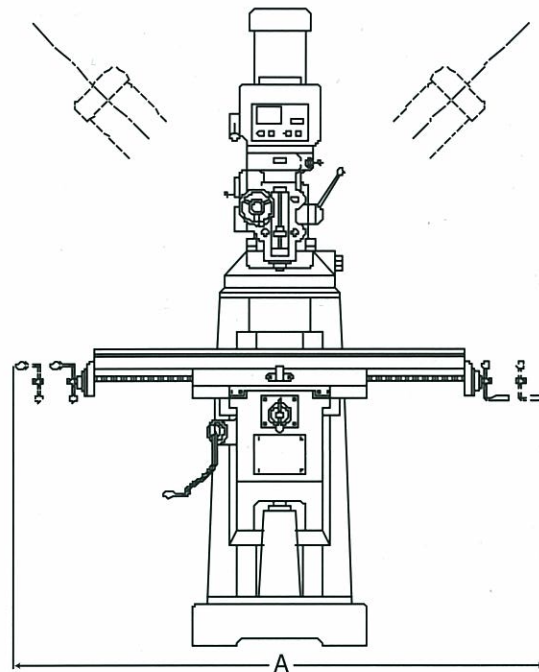
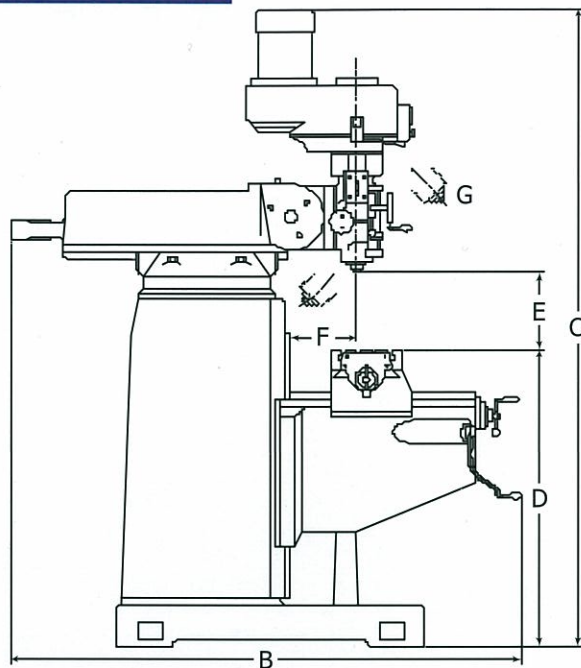
**4VKFCNC**



**TW32QI**



## Profile Dimensions



Specifications		3S	3VS	3VKH	3VKF	4VKF	5VKF
Table Size		9" x 42"		10" x 50"		12" x 50"	
Table Travel		28"		36"		33"	
Saddle Travel		12"		15.25"		16"	
Knee Travel		15"				15.25"	15.5"
Ram Travel		14.5"		22"			26.75"
Quill Travel				5"			5.5"
Quill Diameter				3.375"			4.173"
Quill Power Feed Rate				0.0015", 0.003", 0.006"/Rev			0.0017", 0.0033", 0.0054"/Rev
Spindle Motor				3HP			5HP
Spindle Taper				R-8 (NMTB-30 or Quick-Change Spindle Optional)			NMTB-40
Spindle Speeds (RPM)		16 Steps 80 - 2720 - 5440	Standard Variable Speeds 60 - 500 - 4200	AC-Frequency Drive Head 60 - 550 - 4500 (6000 Optional)			
Overall Width	A	86"		102"		99"	
Overall Depth	B	67"		79"			
Overall Height	C	82"	84"		90"		96"
Table-Floor (D)	Min	33"		34"		34.25"	34.5"
	Max	48"		49"		49.5"	50"
Spindle-Table (E)	Min	0 - 3.25"		0 - 2.75"			0 - 4"
	Max	18.25"		17.75"		18"	19.5"
Spindle-Column (F)	Min			5"			5.25"
	Max	19.5"		27"			32"
Head Tilt	G			± 45°			N/A
Weight Approx (lbs)		2200 lbs	2400 lbs	3000 lbs	3100 lbs	3400 lbs	3700 lbs

Note: Machine design, specifications, features, etc. are subject to change without prior notice.

**KENT INDUSTRIAL (USA) INC.**  
 1231 Edinger Avenue  
 Tustin, CA 92780  
 Tel: (714) 258-8526  
 Fax: (714) 258-8530  
 Toll Free: (800) KENT-USA  
 Internet: [www.kentusa.com](http://www.kentusa.com)



Providing Solutions.

Phone: 916-638-7718 Fax: 916-638-2450

[www.scottmachinery.com](http://www.scottmachinery.com)

4700 Lang Ave, Suite D, McClellan, CA 95652