

# Clausing Radial Drills

## Model: CLC1250H

### Features and Standard Equipment:

- Equipped with hydraulic separate clamping unit. Vertical movement of arm is coordinated by an IC timer. With a single touch on push button switch, you can have the arm unclamped then move vertically, or stop then clamp automatically. Very easy to operate, and tools will always stay at the same point after tool shifting
- Gears in gear box are cooled by oil cycled by an oil pump to minimize gear wear
- Powerful 5 Hp, 2-speed, heavy-duty spindle drive motor
- Friction type disc clutch absorbs impact force caused by vertical movement of spindle, and protects all transmission units inside gear box. With quick spindle return, the clutch will help speed-up the tapping operation
- Special automatic tool eject device is supplied to allow you to change tools quickly. (No drifter is required) Special arm elevating device is provided to prevent arm from falling down abruptly after years of usage
- Coolant system ● CSA Electrics Standard ● Tool kit and manuals

### Specifications:

Model	CLC1250H
<b>Working Area:</b>	
Column Sleeve Dia. (E)	11.81" (300mm)
Column Face to Spindle Center	
Maximum (D+C)	49.21" (1250mm)
Minimum (D)	14.17" (360mm)
Spindle Head Travel (C)	35.04" (890mm)
Base Surface to Spindle End	
Maximum (A)	52.95" (1345mm)
Minimum (B)	17.36" (441mm)
Arm Vertical Travel (A-B)	24.8" (630mm)
Arm Rotation (Right & Left)	180°
Baseplate Working Surface	48" x 29.1" (1219 x 739mm)
Box Table Area	
Length (L)	25.0" (635mm)
Width (K)	24.5" (520mm)
Height (H)	16.5" (420mm)
Base Dimensions	
Floor Area (R x S)	70.3" x 30.9" (1785 x 785mm)
Height (Q)	7.8" (190mm)

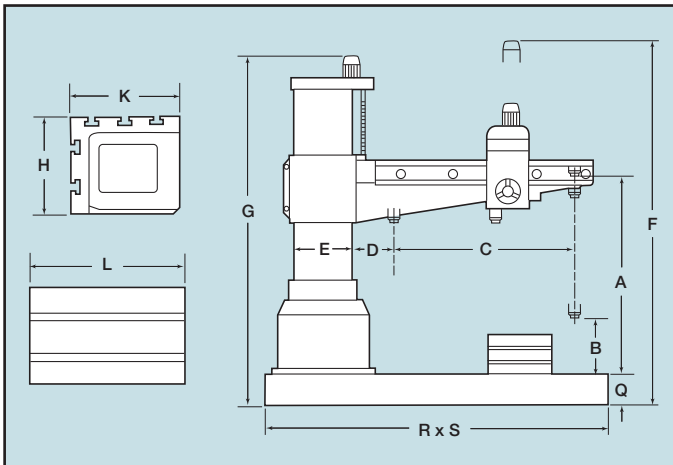
<b>Drill Head:</b>	
Spindle Taper	5MT
Spindle Stroke	10.63" (270mm)
Quill Diameter	3.15" (80mm)
Number of Spindle Speeds	12
Spindle Speeds (rpm)	56-1450
Number of Feeds	3
Spindle Feed Rate (in(mm)/rev.)	0.0023"(.06mm), 0.004"(.10mm), 0.008"(.20mm)
Spindle Drive Motor (2-speed)	5 hp (3.8 Kw)
Elevating Motor	1 hp (.75 Kw)
Clamping Motor	1 hp (.75 Kw)
Coolant Pump Motor	1/8 hp (.10 Kw)

<b>Dimensions and Weight:</b>	
Max. Machine Height (F)	104.1" (2645mm)
Base and Column Height (G)	81.9" (2080mm)
Shipping Dim.	
Length	81.1" (2060mm)
Width	39.2" (995mm)
Height	88.2" (2240mm)
Net Weight	5,071 lbs. (2300kg)
Shipping Weight	5,512 lbs. (2500kg)



Shown with Optional Tilt Table

### Dimensions:



### Capacities:

Model	CLC1250H
<b>Capacity:</b>	
Drilling	
In Steel	1.97" (50mm)
In Cast Iron	2.36" (60mm)
Tapping	
In Steel	1.57" (40mm)
In Cast Iron	1.97" (50mm)
Boring	
In Steel	4.33" (110mm)
In Cast Iron	6.55" (165mm)